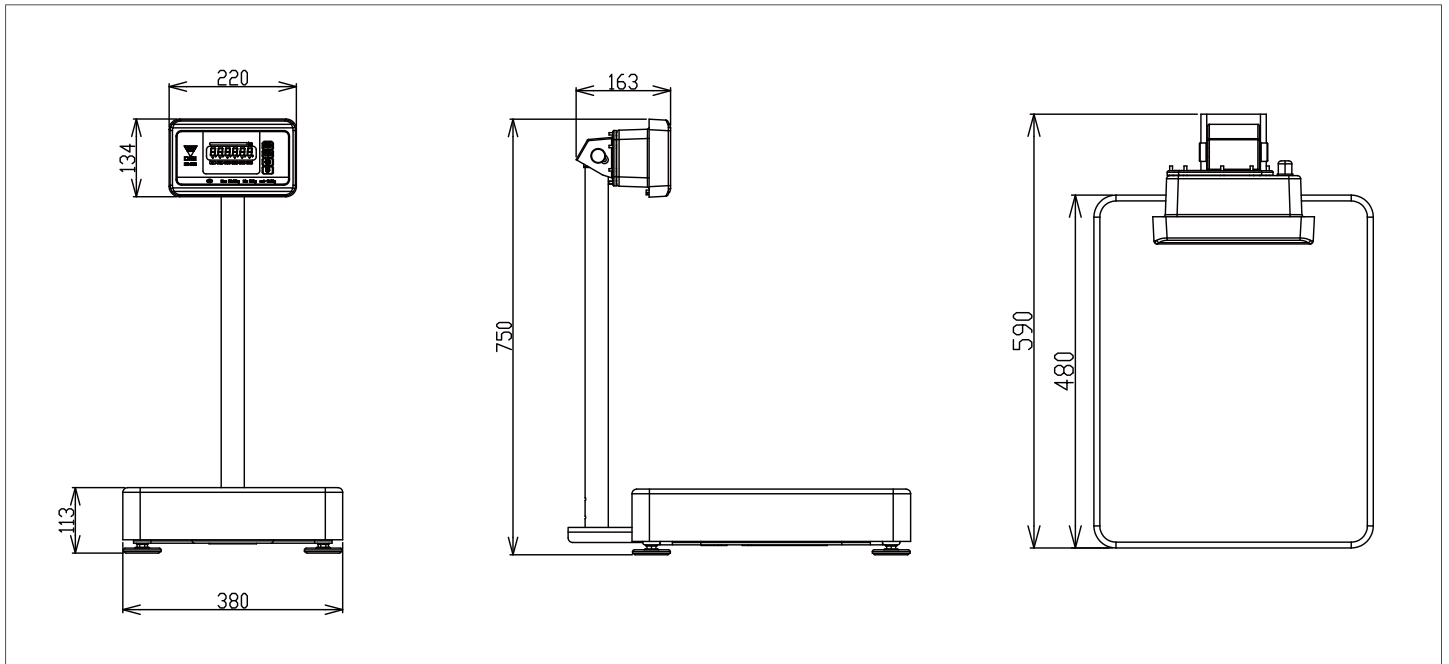


External Dimensions (mm)



Basic Specifications

Model	DS-990
Capacity and Interval	30kg/10g 60kg/20g 150kg/50g
Display	High brightness LED display Weight Display: 6 digits. Decimal point: Selectable by SPEC
Dimensions	Platform size : 480(W) x 380(D) x 113(H) mm Overall size: 590(W) x 380(D) x 750(H) mm
Power Source	AC 240/230/220V, 117/100V DC 6V 2.8Ah rechargeable battery (optional) Rechargeable Battery (optional) backup for 40 hours of continuous usage (when Dimmer Level is set to '2' or below). Charging condition(800mA , 12-14 hours)
Operating Temperature	-10 ~ +40 (OIML)
Operating Humidity	15% ~ 85% RH
Power Consumption	18W when using AC power 3W when using rechargeable battery
Waterproof rating	platform:IP69K console:IP68

*Specifications are subject to change without prior notice.



Capacity and Interval	30kg/10g, 60kg/20g, 150kg/50g
Platter size	480(W) x 380(D) x 113(H) mm
Load cell	Full hermetical stainless steel loadcell
Recommended excitation voltage	1 ~ 12V DC
Input impedance	380 ±15 ohm
Output impedance	350 ±10 ohm
Insulation resistance	1000M ohm or more
Zero balance	Within ±30%R.O.
Load cell wire length	3m

TERAOKA SEIKO CO., LTD.

13-12 Kugahara 5-chome, Ohta-ku,
Tokyo 146-8580, JAPAN
TEL: +81-3-3752-2131
FAX: +81-3-3752-2801
URL: <http://www.digisystem.com>
E-MAIL: info@hq.digi.co.jp

TERAOKA WEIGH-SYSTEM PTE LTD.

4, Leng Kee Road, #06-01, SIS Building,
SINGAPORE 159088
TEL: +65-6861-3911
FAX: +65-6861-3144

SHANGHAI TERAOKA ELECTRONIC CO., LTD.

TINGLIN INDUSTRY DEVELOPMENTAL ZONE,
JINSHAN COUNTY, SHANGHAI 201505
TEL: +86-21-57234888
FAX: +86-21-57233049
<http://www.digisystem.com>