



# SM-5600BS

PC Based Camera Self-Service System Scale

**Simple, Fast & Intuitive Operation**

Built-in intelligence with colour & shape image recognition



SM-5600BS

*Searching for  
a New Balance*

## Camera Self-Service Scale with Automatic Optical Article Recognition

- Built-in camera with intelligent colour and shape image recognition
- Intuitive user interface
- Visual and audio prompts to guide operation
- Smooth, fast and simple operation
- Fast printing speed of 150mm/sec\*
- Remote access to the scale reduces down time
- Email alert for label change

## Attractive & High Contrast Electronic Signage

Database updates at the server are wirelessly transmitted over to the electronic displays, ensuring price and product information are in sync with the checkouts at all times.



Washable, displays accurate prices and operate in temperature from -5°C to +40°C

**e.LABEL**  
85.0 x 73.5 x 15.8 mm



Display accurate prices with attractive bitmap image and scannable barcode

**InfoTag**  
65.4 x 39.0 x 11.5 mm



Flexible layout for displaying price and related product information

**InfoCard**  
226.4 x 170.4 x 18.0 mm

## High Recognition Accuracy Makes Weighing & Labelling Faster



Place the item onto the scale platter.



Select the correct icon. Camera recognises product and provides the closest match.



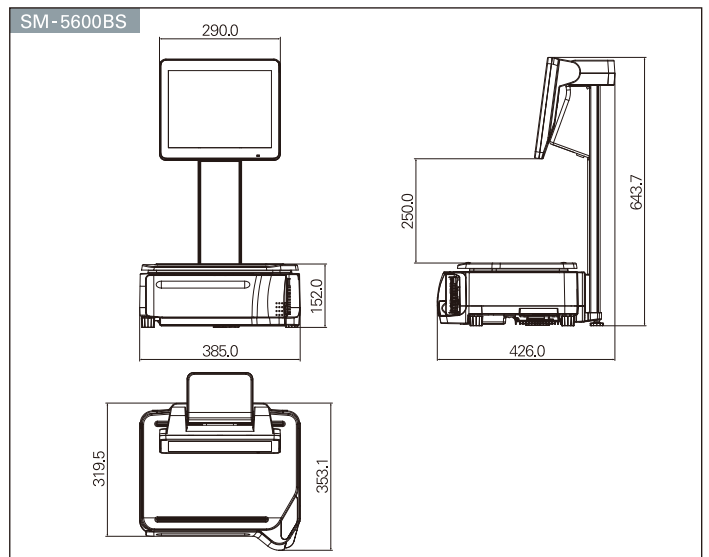
Print the label and paste onto the bag.

### Specifications

<b>Capacity</b>	<b>Max 6kg</b>	<b>Max 15kg / 30lb</b>	<b>Max 30kg</b>
Single Interval	e = 2g 1/3,000	e = 5g / 0.01lb 1/6,000 or 1/7,500	e = 10g 1/6,000 or 1/7,500
Capacity	<b>Max 3 / 6kg</b>	<b>Max 6 / 15kg</b>	<b>Max 15 / 30kg</b>
Multi Interval	e = 1 / 2g 1/3,000	e = 2 / 5g	e = 5 / 10g
<b>Model</b>	<b>SM-5600BS</b>		
Dimension (mm)	385.0(W) x 426.0(D) x 643.7(H)		
Customer Display	12.1 Inch Colour LCD with Touch Screen		
CPU	Intel Core 2 Duo T7400 2.16GHz		
Memory	Factory Default 2GB DDRAM, 2.5" SATA 320GB HDD		
Camera	Software	Microsoft LifeCam Studio with CMOS Sensor Technology	
Features	Frequency	100Hz to 18KHz	
	Resolution	5 Megapixel Still Image	
	Frame	Up to 30 Frames / second	
Label Size (mm)	80(W) x 240(H) (Max)		
Label / Receipt Roll Diameter	125mm (Max)		
Paper Width	80mm (Max)		
Printing Speed	Up to 150mm/second*		
Power Source	AC 100 / 110 or 220 / 230 / 240 Volts (50/60Hz) Factory Default		
Operating Temperature	- 10°C to +40°C		
Humidity	15% to 85% RH		
Standard Interface	RS232C, Ethernet 10/100 Base T, USB 2.0 Host, Drawer		
Net Weight	17.50kg		
Options	Linerless Receipt Printer, Built-In-Speaker		
Others	e.LABEL, InfoTag, InfoCard, MD-121 (O-Display), Remote Display,		

\*To achieve maximum printing speed, high sensitivity thermal paper is necessary. Contact DIGI for details.

### Dimension (mm)



• ISO 9001



• Specifications are subject to change without prior notice  
• Meet or exceed OIML Class III requirements

## TERAOKA WEIGH-SYSTEM PTE LTD.

4 Leng Kee Road #05-02/03/04/05/11  
SIS Building SINGAPORE 159088  
TEL : +65 6472 2996  
SALES: +65 6378 5387  
FAX : +65 6863 4614  
URL : www.teraoka.com.sg  
E-MAIL : bdd@teraoka.com.sg

## TERAOKA SEIKO CO., LTD.

13-12 Kugahara 5-chome, Ohta-ku,  
Tokyo 146-8580, JAPAN  
TEL : +81-3-3752-2131  
FAX : +81-3-3752-2801  
URL : www.digisystem.com  
E-MAIL : info@hq.digi.co.jp