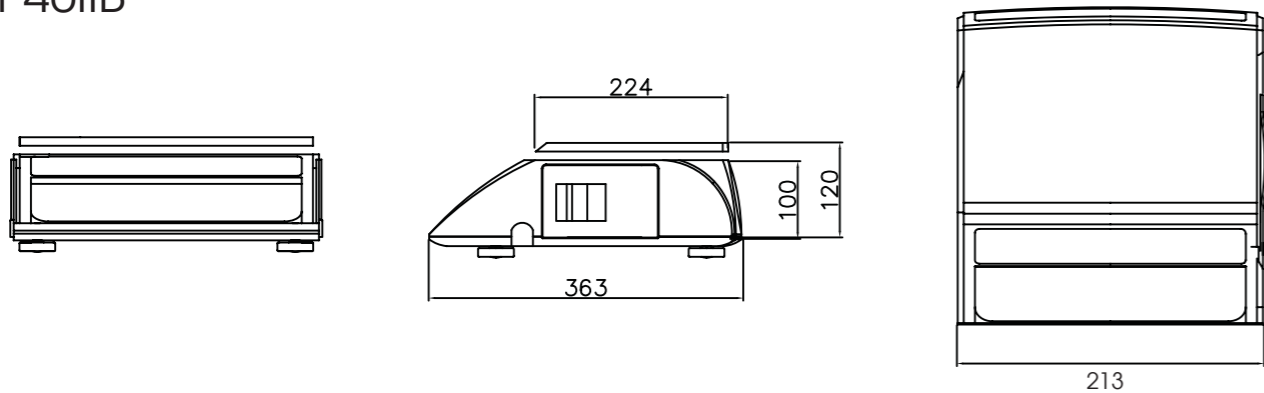
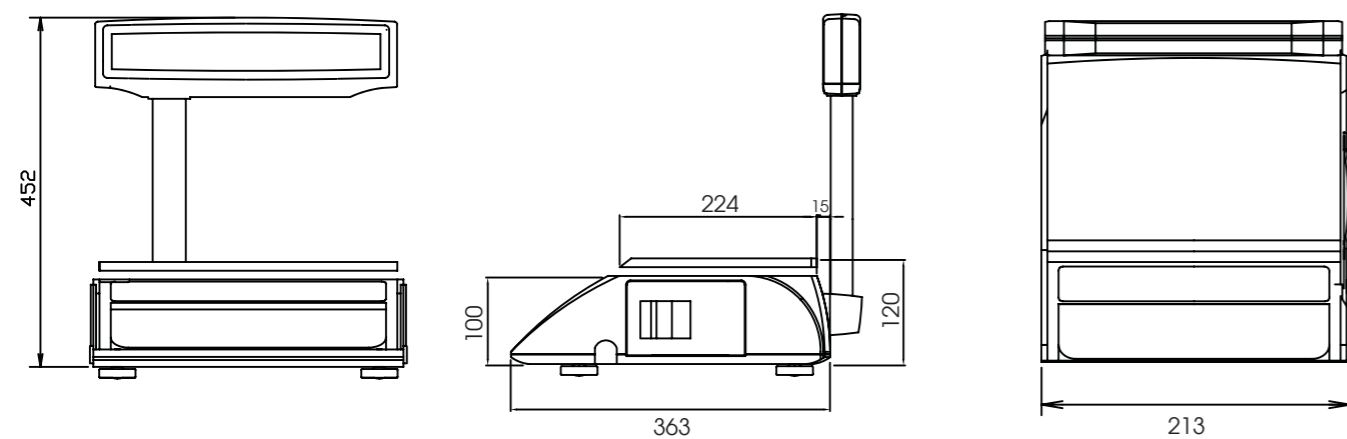


External Dimensions (mm)

RM-40IIB



RM-40IIP



Basic Specifications

Model	RM-40II
Power Source	AC 240/230/220V,117/100V(+10%,-15%) DC 12V 5Ah rechargeable battery (optional)
Operating Temperature	-10°C ~ +40°C (OIML)
Operating Humidity	15% ~ 85% RH
Power Consumption	45W when using AC power 36W when using rechargeable battery
Main Microcomputer	NEC uPD703100-A
Memory Size	1MB(2MB Extended)
Display Specification	Customer and operator displays, 10 segments LCD for 22 digits display
Interface	RS232C interface (Data communication and PLU files loading) Cash drawer control port (Optional cash drawer)
Printing Width	48mm
Printing speed	Maximum 75 mm / sec

*Specifications are subject to change without prior notice.

SHANGHAI TERAOKA ELECTRONIC CO., LTD.

1st Floor of #2 Building, Jia Yuan Business Center,
#51 Long Wu Road, Shanghai 200232, P.R. OF CHINA
TEL: +86-21-64085151
FAX: +86-21-54900008
URL: <http://www.digi-scale.com>
E-MAIL: steservice@digi-scale.com



RM-40II

Scale Receipt Printer

Weighing and receipt printing anywhere



Variation: Long Pole & Backlight types



9

Features of

RM-40II

RM-40II: designed for weighing and cash control in the open retail market.

Backed by years of experience at DIGI, the RM-40II helps your operation by delivering superb value!



Receipt Printing

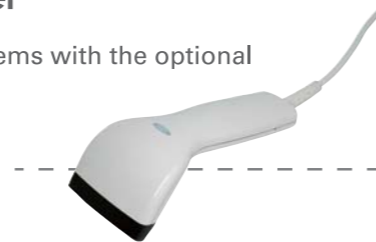
High-speed thermal printer is built in for receipt printing. Easy paper handling is achieved with a simple loading mechanism. Store name and message can be printed on the receipt.

1



Barcode Reader

Scan non-weighing items with the optional barcode reader.



Cash Box

Complete transactions with the optional cash box.

2



Extremely Portable

Easily move locations with the compact design, folding display and rechargeable battery for quick set up and tear down.

3



Operate Under Direct Sunshine

Display data is clearly visible even in harsh sunlight with the reflective type high-contrast LCD.

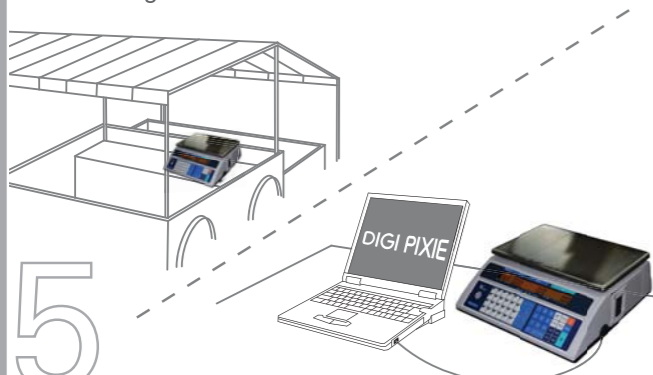
4



Connection to PC

Control prices and data easily through the PC connection. DIGI PIXIE, software tool between RM-40II and PC is being offered.

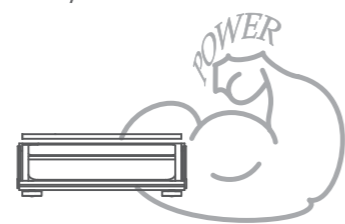
5



Work All Day Without Recharging

Over 12 hours of normal operation for weighing and receipt printing are now possible with the built-in battery.

6



*Please refer to the specification in the back page. (Built-in Battery is optional.)

Fast Weighing & Stable Display

Designed to weigh quickly and maintain a stable display even in the outdoors.

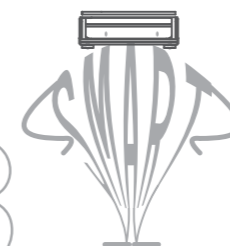
7



Strong Cash Management

Manage digital price computing and the electronic cash register together with inventory control for weighing item and non-weighing item with opening balance, sales and closing balance and physical counting.

8



Floating Clerk

Floating clerk function is possible with RS-485 network; for up to 10 units of RM-40II.

9

